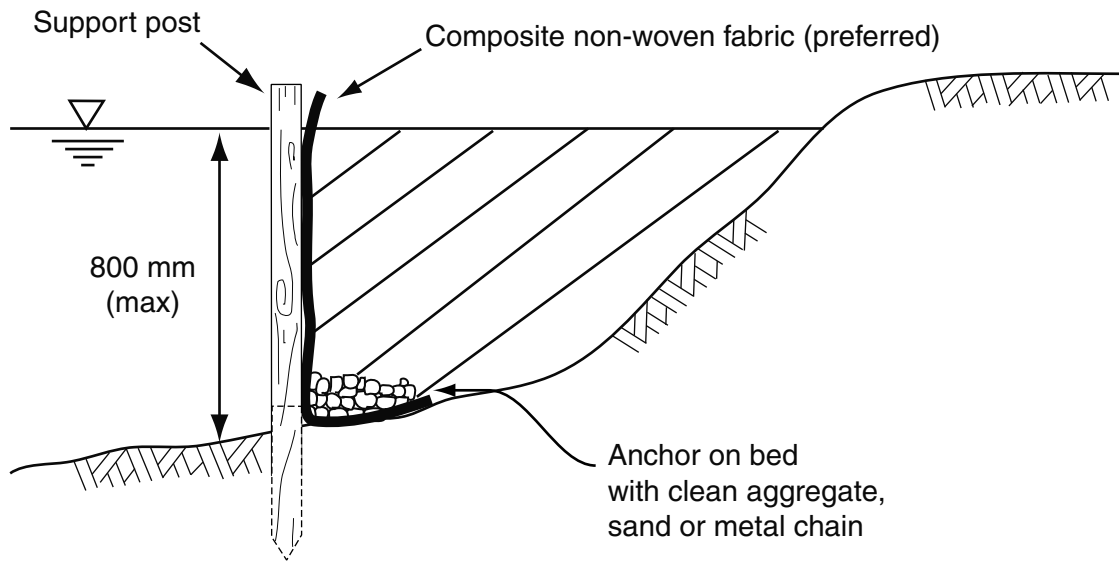
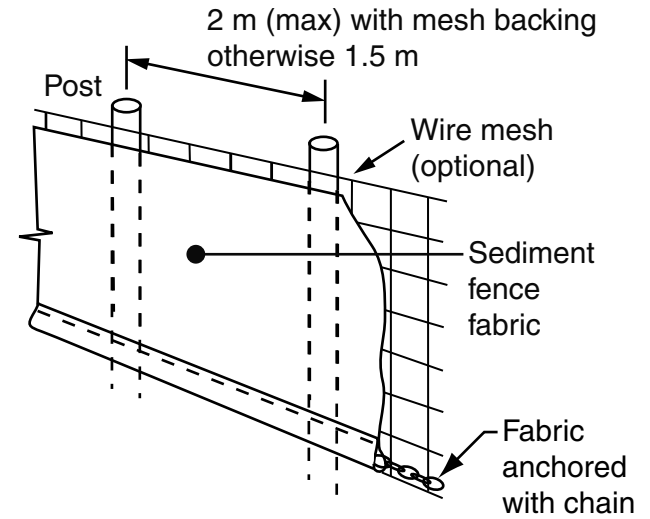


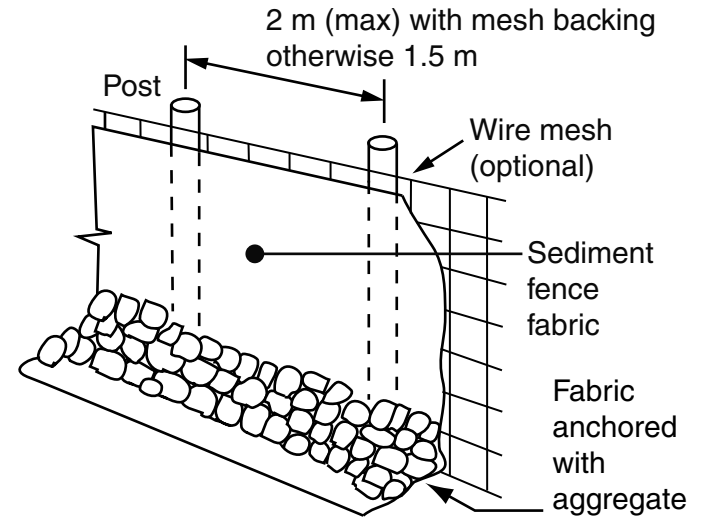
(a) Sediment fence isolation barrier with separate landward sediment fence



(c) Sediment fence isolation barrier acting as a combined isolation barrier and sediment trap



(b) Sediment fence isolation barrier with fabric anchored by ballast chain



(c) Sediment fence isolation barrier with fabric anchored by aggregate

Drawn:	Date:		
GMW	Feb-10	Sediment Fence Isolation Barrier	SFB-01