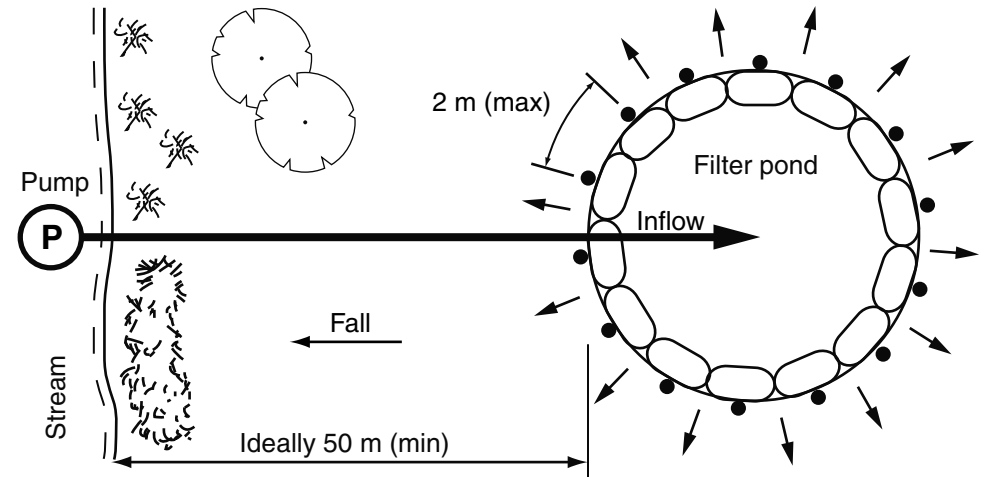
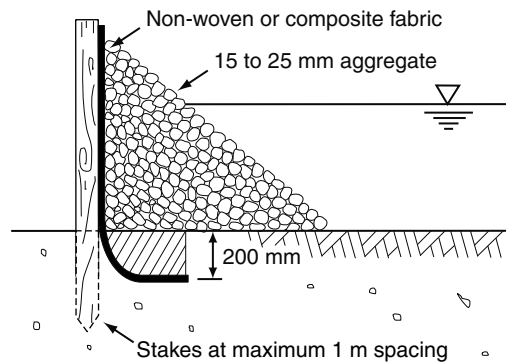


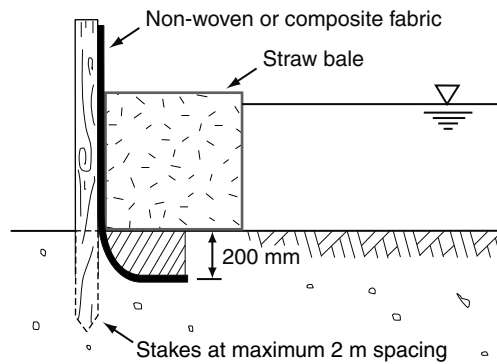
**(a) Typical layout of a filter pond**



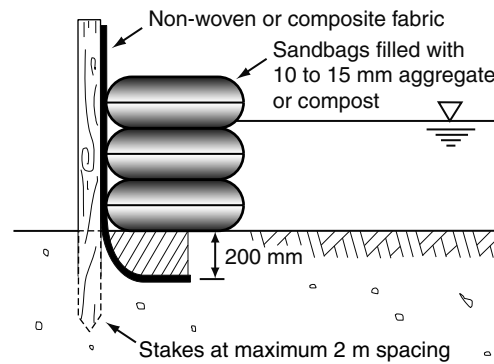
**(b) Ideal placement of filter pond adjacent a watercourse**



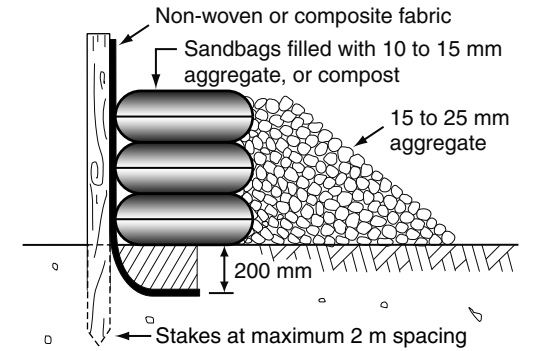
**(c) Fabric and aggregate sidewall arrangement**



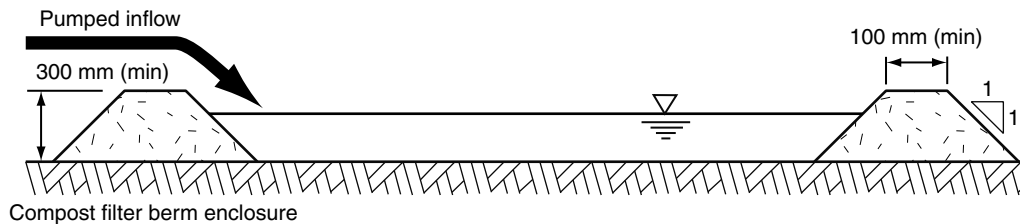
**(d) Fabric and straw bale sidewall arrangement**



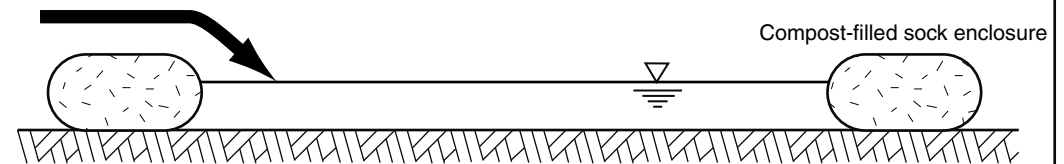
**(e) Fabric and sandbag sidewall arrangement**



**(f) Fabric, sandbag and aggregate sidewall**



**(g) Typical arrangement of a compost berm filter pond**



**(h) Typical arrangement of a compost sock filter pond**

Drawn:	Date:		
GMW	Mar-10	Filter Ponds	FP-01