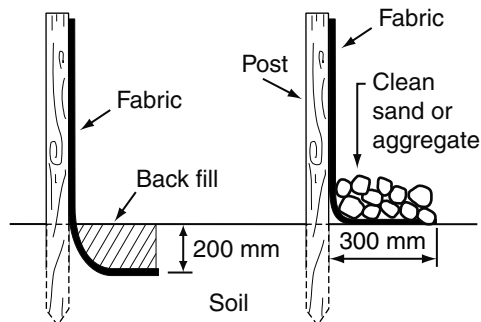
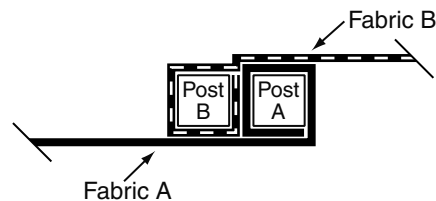


(a) Location of fence relative to base of slope

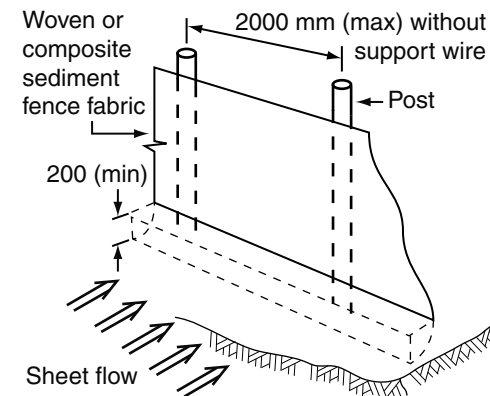


(b) Anchoring base of fabric

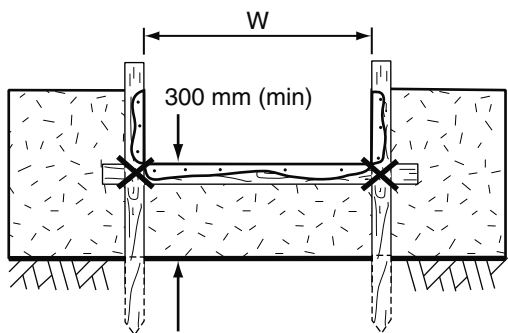


Fabric to fold around each stake one full turn.
Stake B to be drive tightly against Stake A.
The tops of both stakes to be secured with wire.

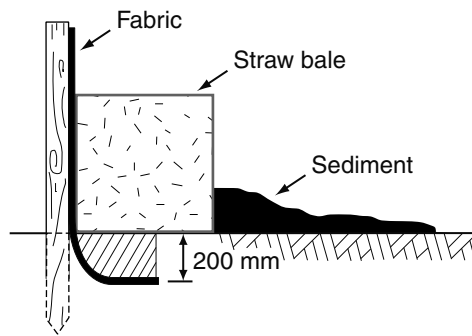
(c) Joining fabric - Method 1



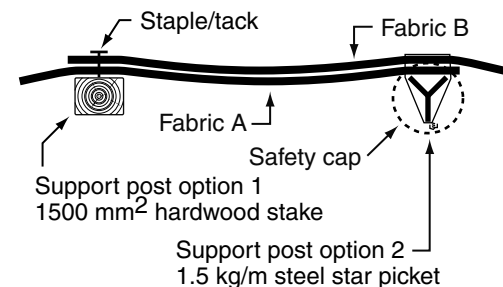
(d) Installation without backing support



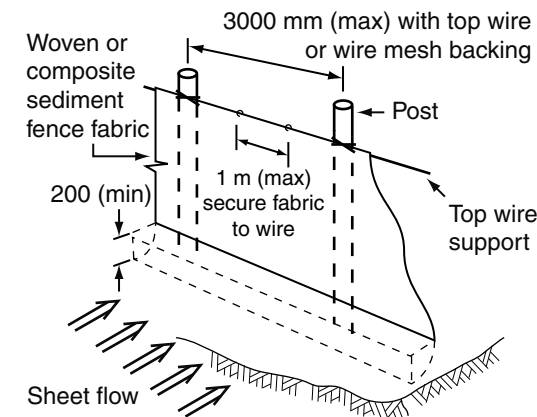
(e) Spill-through weir



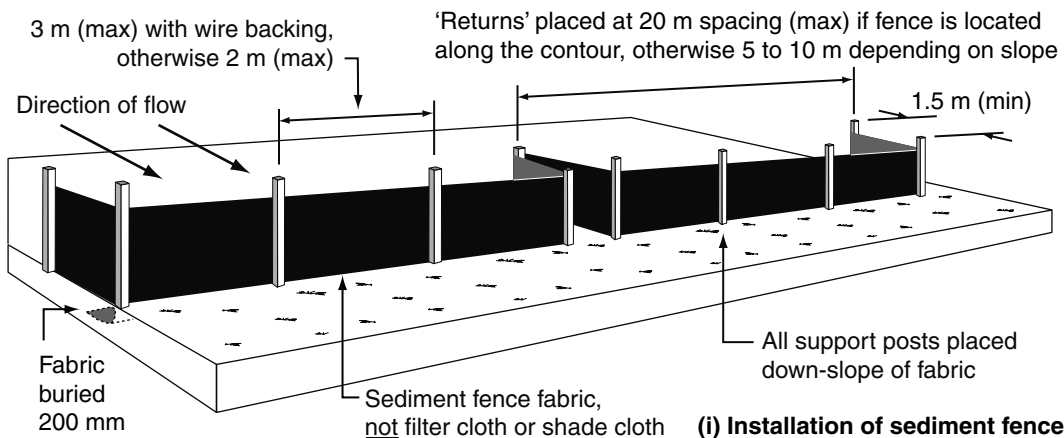
(f) Placement of up-slope straw bale



(g) Joining fabric - Method 2



(h) Installation with top wire support



(i) Installation of sediment fence

Notes:

1. Sediment fence to be installed along a line of constant ground elevation wherever practical.
2. Both end of the sediment fence to extend up the slope at least 1m.
3. Support post to be spaced a maximum 2m unless the fence is supported by a top wire or wire mesh backing, in which case 3m maximum spacing.
4. Fence 'returns' shall be installed at maximum 20m spacing if fence is installed along the contour, otherwise 5 to 10m maximum spacing.
5. Minimum 4 staples or tie wires per stake.

Drawn:	Date:		
GMW	Dec-09	Sediment Fence	SF-01